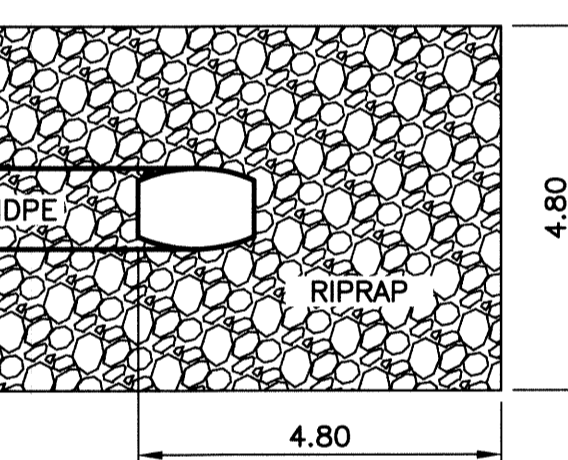
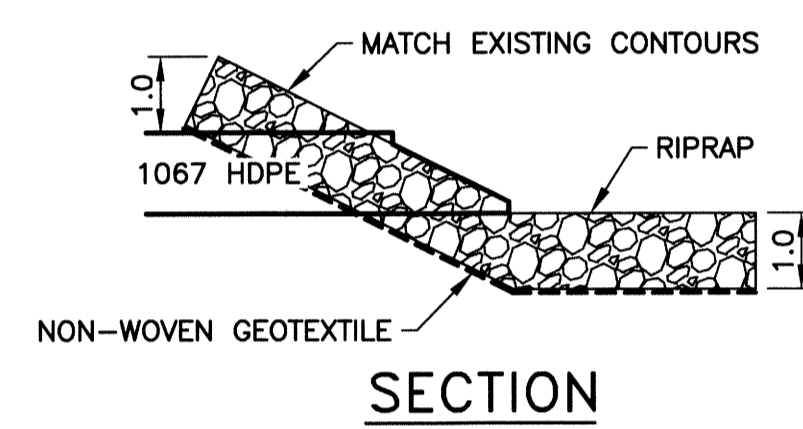
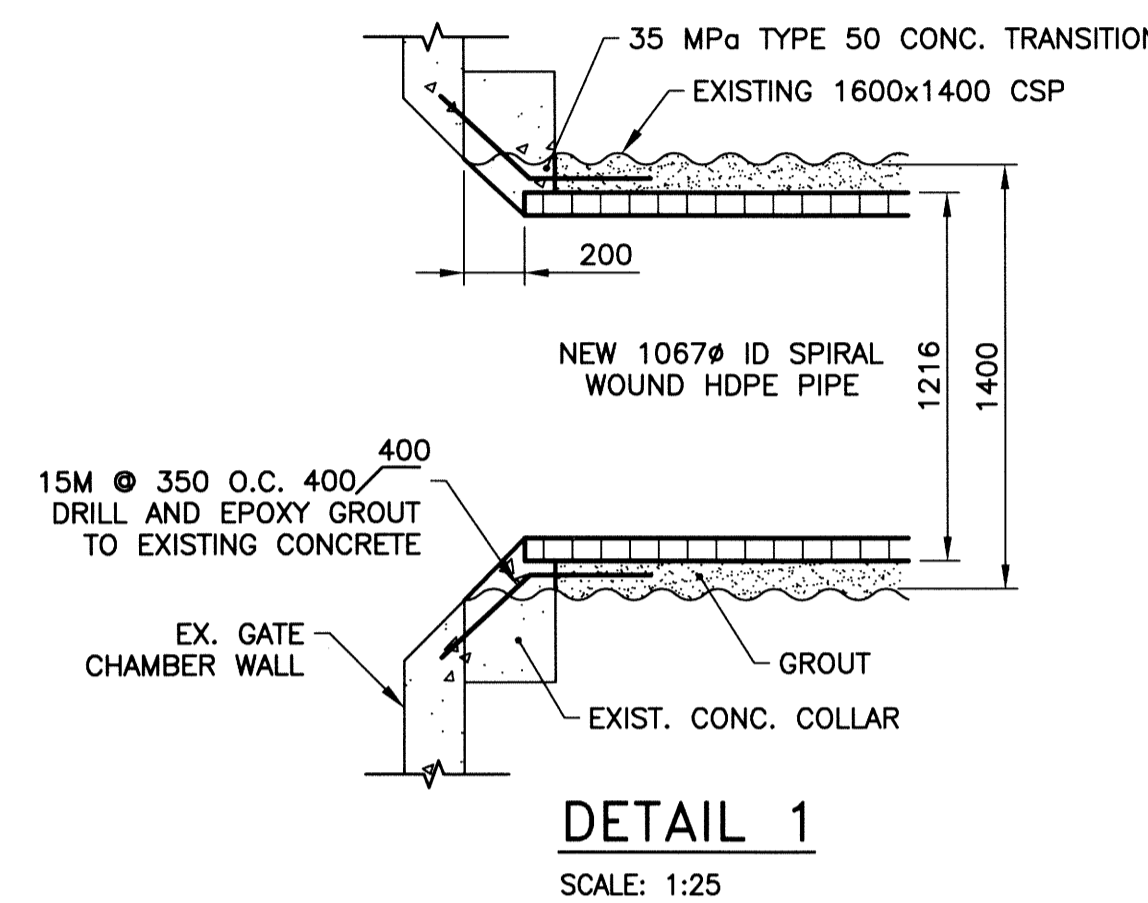


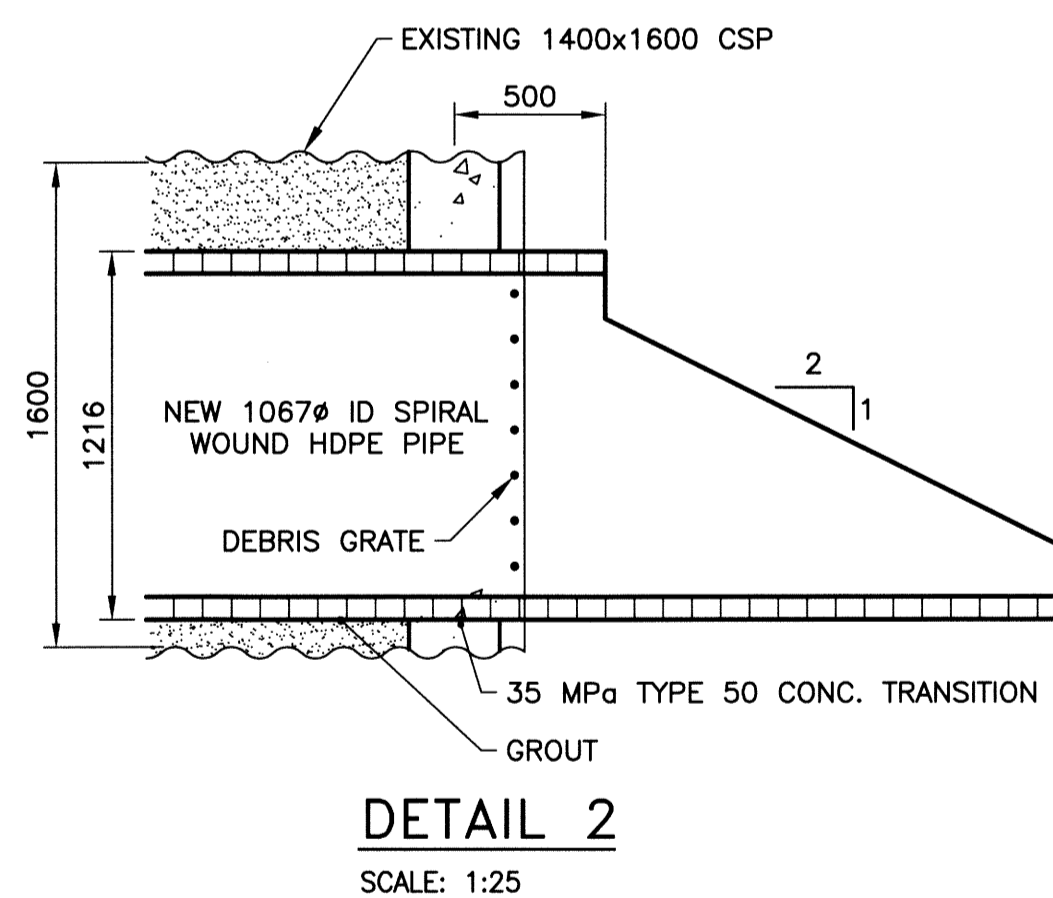
File Name: P:\Projects 2012\12-0107-013\DocControl\ToBeIssued\DWG\12-0107-013_LD-6951-Rev 0.dwg - Tab: LD-6951 Plotted By: D.Deroche 12/11/29 [Thu 12:52pm]
 A17/PLOT SCALE: 1=1



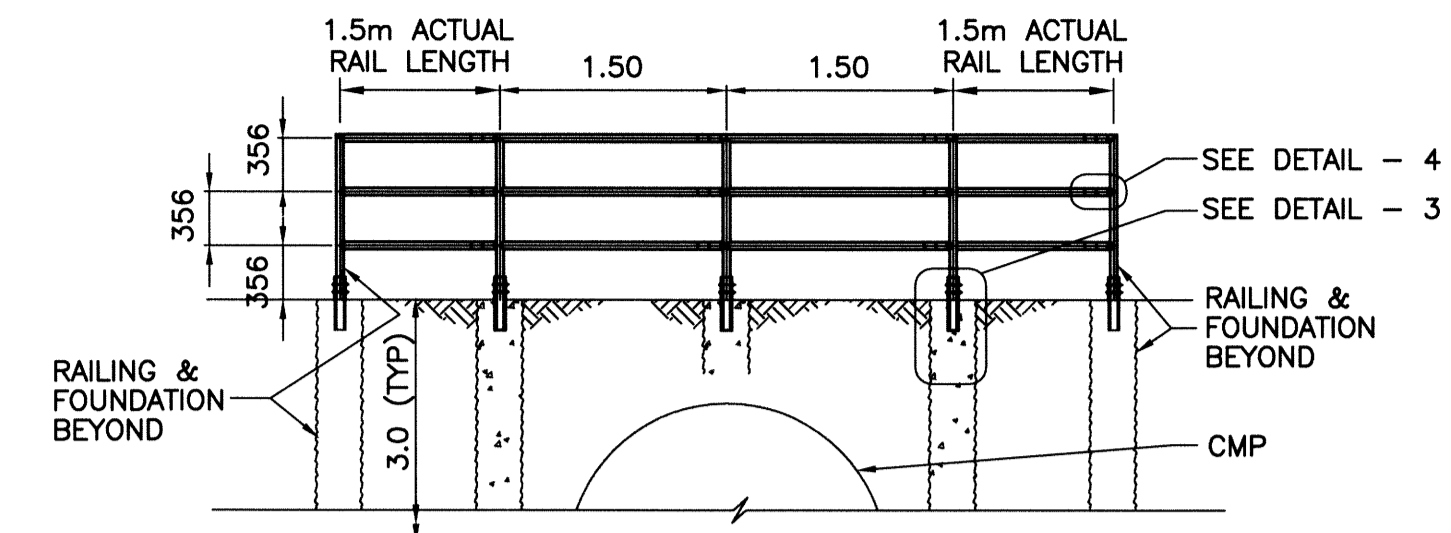
RIPRAP DETAIL
SCALE: 1:100



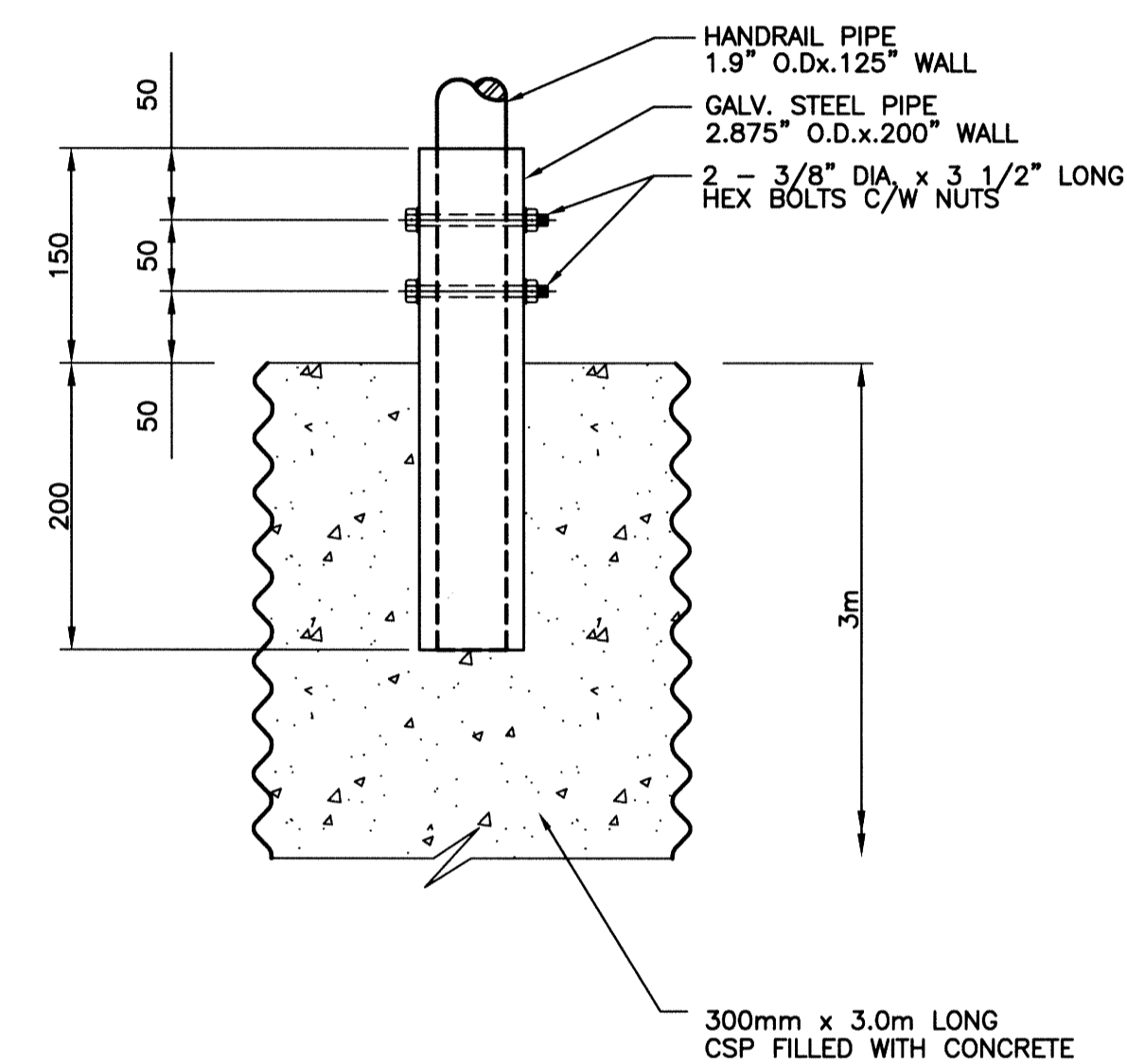
DETAIL 1
SCALE: 1:25



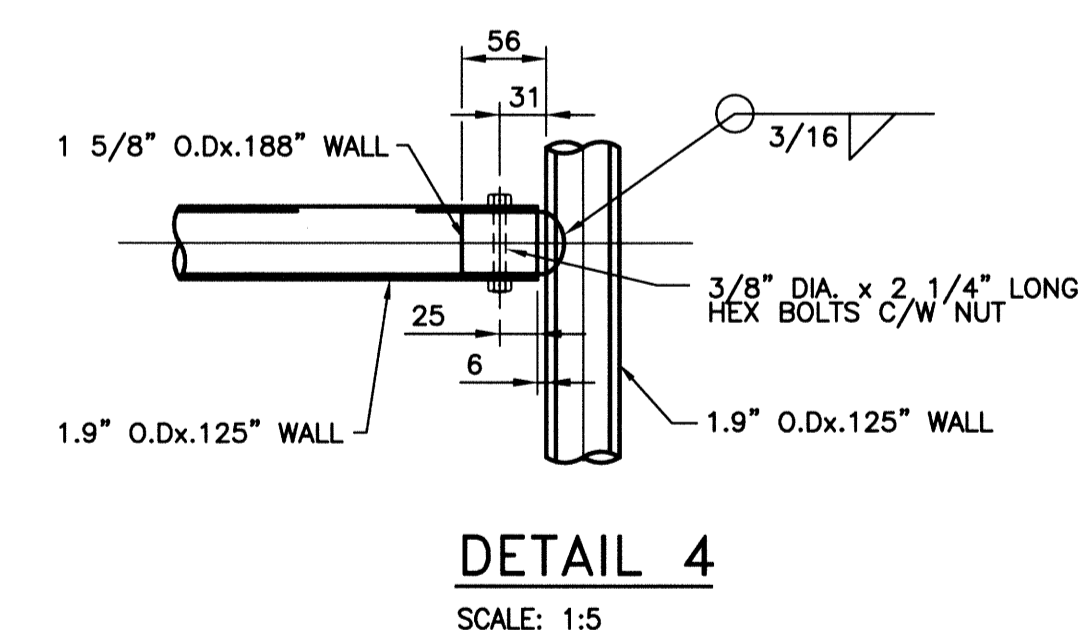
DETAIL 2
SCALE: 1:25



SAFETY RAILING DETAIL
SCALE: 1:50



DETAIL 3
SCALE: 1:5



DETAIL 4
SCALE: 1:5

METRIC
WHOLE NUMBERS INDICATE MILLIMETRES
DECIMALIZED NUMBERS INDICATE METRES

APEGN
Certificate of Authorization
KGS Group
No. 245

LOCATION APPROVED UNDERGROUND STRUCTURES		
SUPV. U/G STRUCTURES COMMITTEE	DATE	
NOTE:		
LOCATION OF UNDERGROUND STRUCTURES AS SHOWN ARE BASED ON THE BEST INFORMATION AVAILABLE BUT NO GUARANTEE IS GIVEN THAT ALL EXISTING UTILITIES ARE SHOWN OR THAT THE GIVEN LOCATIONS ARE EXACT. CONFIRMATION OF EXISTENCE AND EXACT LOCATION OF ALL SERVICES MUST BE OBTAINED FROM THE INDIVIDUAL UTILITIES BEFORE PROCEEDING WITH CONSTRUCTION.		
0	ISSUED FOR TENDER	12/11/30
NO.	REVISIONS	DATE BY

B.M. KGS BASE ELEV.	DWGS BASED ON C.S.R.S. NAD 83 SYSTEM, UTM GRID	KGS GROUP CONSULTING ENGINEERS	
		DESIGNED BY RBO	CHECKED BY RJH
		DRAWN BY DMW	APPROVED BY
		HOR. SCALE: 1:250	RELEASED FOR CONSTRUCTION:
		VERTICAL: 1:50	DATE
		NO.	DATE YY/MM/DD

		ENGINEER'S SEAL
		CONSULTANT DRAWING NO.

PROVINCE OF MANITOBA
R.B. OFFMAN
Member
24701
1998 PROFESSIONAL ENGINEER

THE CITY OF WINNIPEG WATER AND WASTE DEPARTMENT	
PROJECT TITLE	SHEET OF
2012 OUTFALL RENEWAL/ REHABILITATION PROGRAM CORNISH AVENUE OUTFALL (AS-88) DETAILS	6 OF 9
	COMPUTER FILE NAME
	12-0107-013
	CITY DRAWING NUMBER
	LD-6951